

ELECTRIC PORTABLE VALVE ACTUATORS JA73



RAPPORT DE REDUCTION

(1 to 3 digits)
see table overleaf

J A 7 3 X X X X X X

E = Easy duty
S = Standard duty
H = Heavy duty

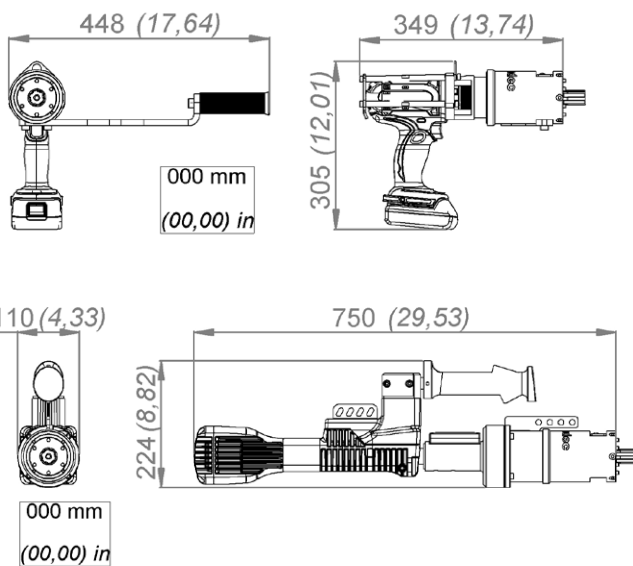
OPTION

(2 digits)
Vsee table overleaf

Thanks to their long life batteries, **modtec electric portable valve actuators** are able to deliver a **high power** for more than 30 minutes. This means they are not dependent on an energy source (electric plug or compressed air network) and can operate freely anywhere. Extremely robust, they have an **integrated clutch system which protects the operator and the equipment**, even if a valve is completely blocked.

The **power limiter** (available for all the Standard and Heavy duty models) and the torque limiter (available for Easy duty models) mean **you can adapt the tool to any configuration and further improve user safety**.

LAYOUT



LAYOUT	Weight (kg) (lb)
JA73E	6,9 (15,2)
JA73S/E	10,1 (22,3)

Watt → Horse power

W x 0,001341 = cv

Bar → pound / square inch

Bar x 14,5 = psi

Newton meter → Foot pound

Nm x 0,7376 = lb.ft

Normo liter / minute → Standard cube feet / minute

NL / min x 0,03531 = scfm

Millimeter → inch

mm x 0,03937 = in

Kilogramme → Pound

Kg x 2,205 = lb

Kv → Cv

Kv x 0,07 = Cv

ELECTRIC PORTABLE VALVE ACTUATOR JA73

BATTERIES

Technical data	Battery 36V 4Ah	Battery 43,2V 9Ah	Batterie 43,2V 17,4Ah
Autonomy JA73E	20 min		
Autonomy JA73S		15 min	35 min
Autonomy JA73H			
Charging time	1h20	5h	8h
Weight (kg (lb))	1,3 (2,9)	4,2 (9,3)	5,9 (13)
Reference	BAT140	BAT400	BAT700

Autonomy is measured for an equivalent torque of 50% of maximum torque.



The electric portable actuators use high performance batteries for greater autonomy. The Easy duty electric actuators come with two batteries and a charger. The batteries are inserted into the tool's handle. Read the user manual for information about charging, using and transporting the batteries.

The Standard duty and Heavy duty electric actuators come without a battery – both battery and charger need to be ordered separately.

These batteries comes with a light, comfortable harness for use during transport or when using the actuator.

OPTIONS AND ACCESSORIES

OPTIONS (page 4)

Digital revolution counter		▶		▶
Torque limiter			▶	▶
CODE	00	02	03	05

Not all options are available for all models.
See below for availability.

! Check the technical data sheet to see which options and accessories are capable of withstanding the torque created by the actuator !

ACCESSORIES

ACCESSORIES	Page
Drive head	5
Adaptors and interfaces	6-13
Torque reaction systems	14-16
Other accessories	19

PERFORMANCE

Straight or with RA30	Free speed (rpm)	Max torque (Nm (lb.ft))	Starting torque (Nm (lb.ft))	Options disponibles		
				02	03	05
JA73E-005	95	15 (11)	15 (11)	▶	▶	▶
JA73E-018	26	64 (47)	64 (47)	▶	▶	▶
JA73S-077	110	150 (110)	120 (89)	▶	▶	▶
JA73S-132	63	250 (180)	200 (150)	▶	▶	▶
JA73H-309	27	590 (435)	470 (350)	▶	▶	▶

With banjo head BJH01	Free speed (rpm)	Max torque (Nm (lb.ft))	Starting torque (Nm (lb.ft))	Options disponibles		
				02	03	05
JA73E-005	24	60 (44)	60 (44)	▶	▶	▶
JA73E-018	7	250 (180)	250 (180)	▶	▶	▶
JA73S-077	27	590 (435)	470 (350)	▶	▶	▶
JA73S-132	Not available					
JA73H-309	Not available					

With banjo head BJH02	Free speed (rpm)	Max torque (Nm (lb.ft))	Starting torque (Nm (lb.ft))	Options disponibles		
				02	03	05
JA73E-005	32	45 (33)	45 (33)	▶	▶	▶
JA73E-018	9	190 (140)	190 (140)	▶	▶	▶
JA73S-077	36	440 (320)	350 (260)	▶	▶	▶
JA73S-132	21	760 (560)	600 (440)	▶	▶	▶
JA73H-309	Not available					



The JA73S and JA73H actuators can be delivered on request with a wired remote control.

Contact us for more details.

Some electric portable actuator manufacturers give torque and speed performance without reference to the length of operating time. This can suggest a high performance level when in reality the level can only be achieved for a few seconds and with significant risk of damage to the actuator's motor.

Portable actuators using a modec battery are designed and tested to deliver the stated performance level with no time limit other than the length of the battery life.

IMPORTANT

For your comfort and safety, please carefully read the instruction manual before using the portable valve actuator.